

The logo consists of a solid blue square with the word "Nice" written in white, sans-serif font in the center.

Nice

New Spider & Spido motors

The new garage door motors: the perfect symbiosis of performance, connectivity and design.



Nice

Spider

The new motors for garage doors.

New motor for sectional doors up to 16.9 m² and up-and-over doors up to 19.5 m². Two models with control unit and integrated bidirectional receiver:

- **1200N** with **Brushless technology and built-in Wi-Fi,**
- **800N** with built-in Wi-Fi.

With Spider the garage automation also becomes **connected and sustainable.**

NICE GREEN INNOVATION

EPD[®]
THE INTERNATIONAL EPD[®] SYSTEM

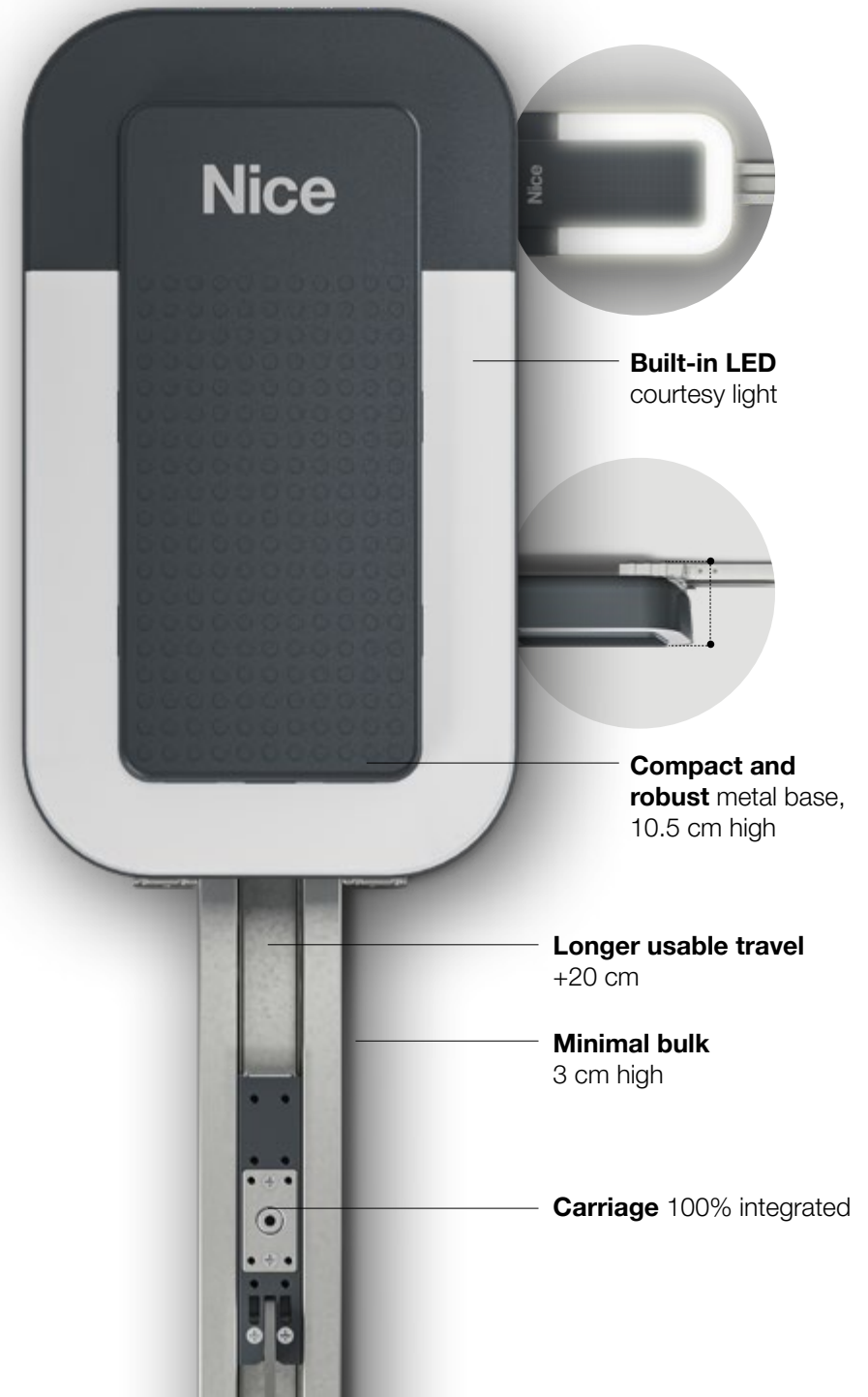
Environmental savings

Environmental Product Declaration (EPD) available. CO₂ emissions compared to the previous Nice model*:

-25%

* Declaration and data verified in accordance with internal EPD management procedure; process verified by accredited third-party body.

Compared using Spider 1200N and Spin 40 models.



Built-in LED
courtesy light

Compact and robust metal base,
10.5 cm high

Longer usable travel
+20 cm

Minimal bulk
3 cm high

Carriage 100% integrated

Spider, performance and design:



Equipped with **brushless motor** designed for intensive use up to 150 cycles per day (SPIDER1200BLW).



Reduced consumption:
90% lower in standby mode.



Quick and easy programming via the **MyNice Pro app**.



Built-in anti-intrusion system for detecting forced entry through the garage door.



Eye Check System for monitoring automation status at any time.

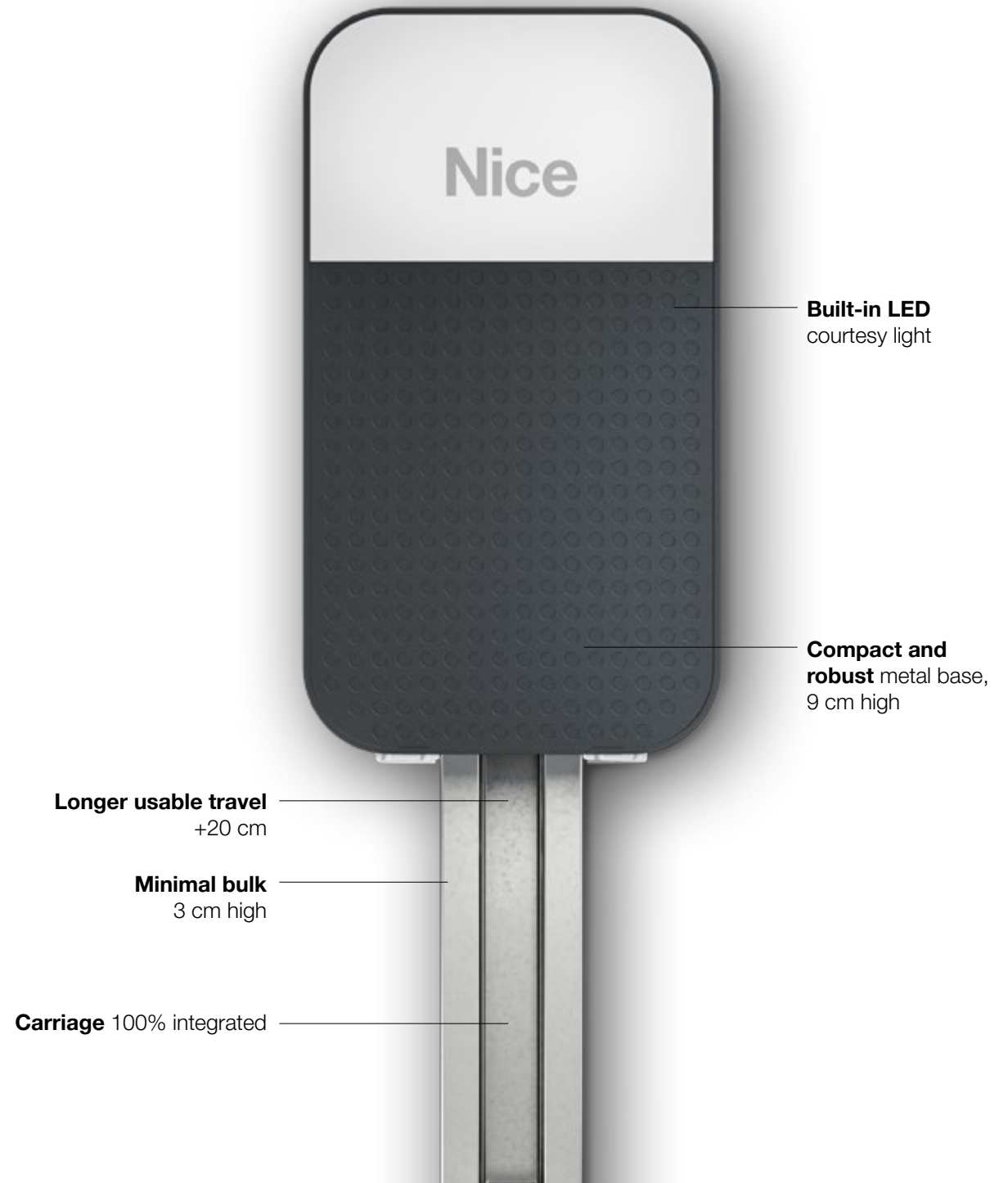
Nice

Spido

The easiest, fastest automation.

New motor for sectional doors up to 9.6 m²
and up-and-over doors up to 10.5 m².

600N with built-in receiver and control unit.



Built-in LED
courtesy light

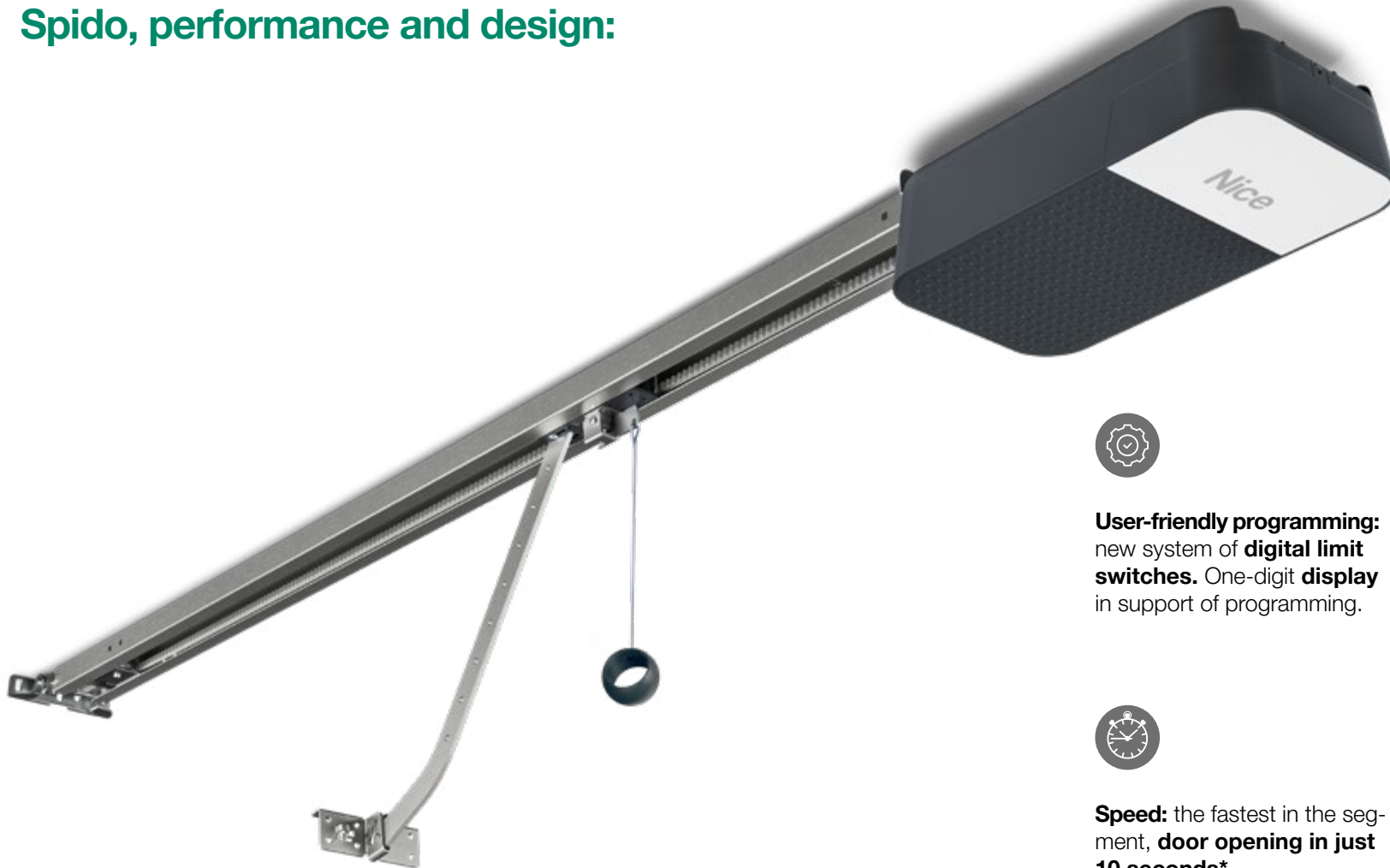
Compact and
robust metal base,
9 cm high

Longer usable travel
+20 cm

Minimal bulk
3 cm high

Carriage 100% integrated

Spido, performance and design:



User-friendly programming: new system of **digital limit switches**. One-digit **display** in support of programming.



Simple installation: designed to make every **operation easy**, from the head to the rail.



Speed: the fastest in the segment, **door opening in just 10 seconds***.



Reduced consumption: 90% lower in standby mode.

* Considering a typical installation with 2.25 m high balanced door, excluding acceleration and deceleration phases.

Nice

Spider 1200BLW

For sectional doors up to 16.9 m² and up-and-over doors up to 19.5 m².



Available in a KIT

Motor head bottom plate in metal, 100% robustness guaranteed



NICE GREEN INNOVATION

EPD[®]

IES-0011928

BlueBus

BiDi

24V

Yubii

Solemyo

Opera

New 1200N gearmotor with brushless motor and built-in Wi-Fi.

Equipped with built-in control unit and integrated bidirectional receiver. Garage door remote controlled in conjunction with gate automations thanks to built-in Wi-Fi technology. Control via MyNice app.

Spider can also be integrated into the Yubii eco-system for use with third-party devices. Control via Yubii app.

Various kits to choose from, combining belt or chain drive system with track type (4 m - 3.2 m or 2 x 1.6 m).

Performance

Designed for **intensive use thanks to the new brushless motor** (up to 150 cycles per day).

Expandable control unit with accessory modules to increase the number of inputs or outputs.

Connectivity

Always connected thanks to the new built-in Wi-Fi module. Allows you to control, manage, check and know everything about the garage door automation anytime and anywhere via your smartphone.

Can be programmed via the Pro-View multi-function interface or the MyNice Pro app, which includes a simple wizard.

Sustainability

The integrated standby power module guarantees 90% lower energy consumption when the product is in standby*.

Spider1200 has obtained environmental product certification, a fundamental requirement for Green Public Contracts and Green Building Plans.

Energy consumption falls by up to 20% thanks to the new brushless motor.**

Designed with sustainability in mind.

Safety

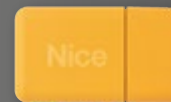
Anti-intrusion function: if a break-in attempt is detected, a notification will be received via the MyNice app and a new closing manoeuvre will be automatically forced***.

Eye Check, visual check system: green and red LED lights built into the motor signal potential issues/need for maintenance or show that everything is working smoothly.

* Calculated by comparing the standby consumption of an operator with the Standby module ("All" mode active) and without it.

** Calculated by comparing the energy consumption of Spider1200BLW with the equivalent model without brushless motor.

*** The function activates one minute after closing the door.



Programmable via App

With Pro-View or BiDi-WiFi & MyNice Pro App, installing Nice Gate&Door systems is even easier and more convenient.



Code	Description
SPIDERBL32BDWKCE	Kit for automating sectional and up-and-over doors, 1200N, with brushless motor, built-in Wi-Fi, control unit and bidirectional receiver. The kit contains: SPIDER-1200BLW, 2 x MYGO4, 1 x SR32B, 1 x MLAE22
SPIDERBL16BDWKCE	Kit for automating sectional and up-and-over doors, 1200N, with brushless motor, built-in Wi-Fi, control unit and bidirectional receiver. The kit contains: SPIDER-1200BLW, 2 x MYGO4, 1 x SR16B, 1 x MLAE22



The SPIDERBL32BDWKCE kit contains:

Code	Description	Quantity
SPIDER1200BLW	Gearmotor with brushless motor and built-in Wi-Fi, control unit and bidirectional receiver	1
MYGO4	4-channel 433.92 MHz transmitter	2
SR32B	Track length 1 x 3.2 m piece, belt drive	1
MLAE22	Expansion board for modular control unit, 2I/2O	1



The SPIDERBL16BDWKCE kit contains:

Code	Description	Quantity
SPIDER1200BLW	Gearmotor with brushless motor and built-in Wi-Fi, control unit and bidirectional receiver	1
MYGO4	4-channel 433.92 MHz transmitter	2
SR16B	Track length 2 x 1.6 m pieces, belt drive	1
MLAE22	Expansion board for modular control unit, 2I/2O	1

COMMON ACCESSORIES

Code	Description	Pcs. Pack
MCU2	Spare control unit for SPIDER1200BLW	1
PSS124	24 V battery with integrated battery charger	1
MLAE21	Plug-in expansion board 1 Output 2 Input	1
MLAE22	Plug-in expansion board 2 Output (1 230V Relay) 2 Input	1
MLAE44	Plug-in expansion board 4 Output 4 Input	1
KI1	Kit for release from outside with metal pull-cord and key ratchet	1
SPA2	Kit for release from outside with metal pull-cord	1
SPA5	Swing arm sliding on bearings, optimised for projecting up-and-over doors	1
SPA6	Enlarged connecting arm, 585 mm long	1
SPA7	Kit with two additional fixing brackets	2
SRA1	Quick-connect brackets for ceiling mounting	6
TS	Sign	1

N.B. The contents of the pack may vary: always consult the dealer.

TECHNICAL SPECIFICATIONS

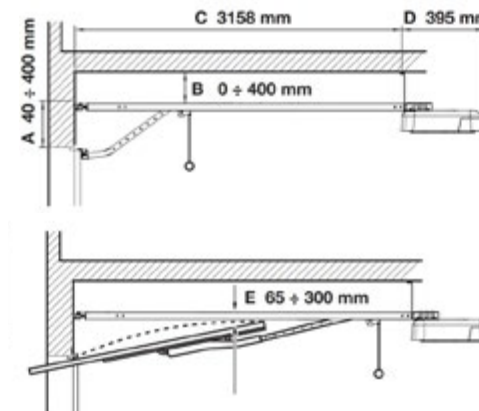
Code	SPIDER1200BLW
ELECTRICAL SPECIFICATIONS	
Power supply (VAC 50/60 Hz)	230
Draw (A)	1,5
Power (W)	240
Power in standby (W)	1.5
PERFORMANCE DATA	
Speed (m/s)	0,16
Force (N)	1200
Working cycle (cycles/day)	150
DIMENSIONAL AND GENERAL DATA	
Protection class (IP)	IP40
Operating temperature (°C Min/Max)	-20°C - +55°C
Dimensions (mm)	225x395x105.5 h
Weight (kg)	6,7

OPERATING LIMITS

	Non-protruding up-and-over doors (with SPA5)		Protruding up-and-over doors (with SPA5) or with springs (without SPA5)		Sectional doors	
	W	H	W	H	W	H
SR32/16	6.5 m	2.4 m	6.5 m	3 m	6.5 m	2,6 m
SR40*	4.9 m	3.4 m	5.6 m	3,6 m	5 m	3.4 m

Using maximum travel
*Also valid for SR32/16 + SR08

DIMENSIONS



TRACK TECHNICAL SPECIFICATIONS

Code	SR32B	SR16B	SR40B
Track type	1 galvanised steel section	2 galvanised steel sections	1 piece in galvanised steel + extension
Track length installed (mm)	3200	3200 (1600x2)	3200+800
Useful travel (mm)	2800	2800	3500*
Weight (kg)	6,5	7	8,3
Pack dimensions (mm)	3300x90x45 h	1690x165x45	3300x90x45 h

*For use with 3.2 m track to obtain overall 4 m length.
**Reference to 4 m track

COMPATIBILITY WITH CONTROL SYSTEMS AND ACCESSORIES

SPIDER1200BLW

Control unit/Receiver
<ul style="list-style-type: none"> • Integrated* • OXIBD / OXILR
Transmitters
<ul style="list-style-type: none"> • ERA INTI - 2 channels, 433.92 MHz, different colours • ERA ONE / MYGO - 1, 2, 4 or 9 channels, 433.92 MHz • MYGOBD / ERA ONE BD / ERA ONE LR • ERA FLOR / DOMI
Photocells
<ul style="list-style-type: none"> • EPS - Slim / EPM - Medium / EPL - Large • EPSB - Slim, BlueBUS / EPMB - Medium, BlueBUS / EPLB - Large, BlueBUS • EPMOR - Medium, reflective • EPMORB - Medium, BlueBUS, reflective • EPMOW - Medium, wireless, self-synchronised • F210 synchronised, adjustable / FT210 for sensitive edges • F210B BlueBus / FT210B for sensitive edges, BlueBus
Flashing light
ELAC
<ul style="list-style-type: none"> • ELDC • WLT - Multifunction LED light

* Radio receiver not compatible with the O-box functions of the Opera system.

Nice

Spider 800/800W

For sectional doors up to 11.4 m² and up-and-over doors up to 12.6 m².



Available in a KIT

Motor head bottom plate in metal, 100% robustness guaranteed

3 cm track height

New unlocking system

LED lights



NICE GREEN INNOVATION

EPD[®]

IES-0011928

BlueBus

BiDi

24V

Yubii

Solemyo

Opera

New 800N gearmotor with built-in Wi-Fi (also available without Wi-Fi).

Equipped with built-in control unit and integrated bidirectional receiver. Garage door remote controlled in conjunction with gate automations thanks to built-in Wi-Fi technology. Control via MyNice app.

Spider can also be integrated into the Yubii ecosystem for use with third-party devices. Control via Yubii app.

Various kits to choose from, combining belt or chain drive system with track type (4 m - 3.2 m or 2 x 1.6 m).

Connectivity

Always connected thanks to the new **built-in Wi-Fi module**. Allows you to control, manage, check and know everything about the garage door automation anytime and anywhere via your smartphone.

Can be programmed via the Pro-View multi-function interface or the MyNice Pro app, which includes a simple wizard.

Sustainability

The integrated standby power module guarantees 90% lower energy consumption when the product is in standby* (0.3W).

Spider800 has obtained environmental product certification, a fundamental requirement for Green Public Contracts and Green Building Plans.

Designed with sustainability in mind.

Safety

Anti-intrusion function: if a break-in attempt is detected, a notification will be received via the MyNice app and a new closing manoeuvre will be automatically forced**.

Eye Check, visual check system: green and red LED lights built into the motor signal potential issues/need for maintenance or show that everything is working smoothly.

* Calculated by comparing the standby consumption of an operator with the Standby module ("All" mode active) and without it.

** The function activates one minute after closing the door.

Code	Description
SPIDER32BDWKCE	Kit for automating sectional and up-and-over doors, 800N, built-in Wi-Fi, integrated control unit and bidirectional receiver. The kit contains SPIDER800W, 2 x MYGO4, 1 x SR32B.
SPIDER16BDWKCE	Kit for automating sectional and up-and-over doors, 800N, built-in Wi-Fi, integrated control unit and bidirectional receiver. The kit contains: SPIDER800W, 2 x MYGO4, 1 x SR16B
SPIDER32BDKCE	Kit for automating sectional and up-and-over doors, 800N, integrated control unit and bidirectional receiver. The kit contains: SPIDER800, 2 x MYGO4, 1 x SR32B
SPIDER40BDKCE	Kit for automating sectional and up-and-over doors, 800N, integrated control unit and bidirectional receiver. The kit contains: SPIDER800, 2 x MYGO4, 1 x SR40B
SPIDER16BDKCE	Kit for automating sectional and up-and-over doors, 800N, integrated control unit and bidirectional receiver. The kit contains: SPIDER800, 2 x MYGO4, 1 x SR40B

Programmable via App

With Pro-View or Bidi-WiFi & MyNice Pro App, installing Nice Gate&Door systems is even easier and more convenient.



The SPIDER32BDWKCE kit contains:

Code	Description	Quantity
SPIDER800W	Gearmotor with built-in Wi-Fi, control unit and bidirectional receiver	1
MYGO4	4-channel 433.92 MHz transmitter	2
SR32B	Track length 1 x 3.2 m piece, belt drive	1



The SPIDER16BDWKCE kit contains:

Code	Description	Quantity
SPIDER800W	Gearmotor with built-in Wi-Fi, control unit and bidirectional receiver	1
MYGO4	4-channel 433.92 MHz transmitter	2
SR16B	Track length 2 x 1.6 m pieces, belt drive	1



The SPIDER32BDKCE kit contains:

Code	Description	Quantity
SPIDER800	Gearmotor with integrated control unit and bidirectional receiver	1
MYGO4	4-channel 433.92 MHz transmitter	2
SR32B	Track length 1 x 3.2 m piece, belt drive	1



The SPIDER40BDKCE kit contains:

Code	Description	Quantity
SPIDER800	Gearmotor with integrated control unit and bidirectional receiver	1
MYGO4	4-channel 433.92 MHz transmitter	2
SR40B	Track length 1 x 3.2 m piece + 1 x 0.8 m piece, belt drive	1



The SPIDER16BDKCE kit contains:

Code	Description	Quantity
SPIDER800	Gearmotor with integrated control unit and bidirectional receiver	1
MYGO4	4-channel 433.92 MHz transmitter	2
SR16B	Track length 2 x 1.6 m pieces, belt drive	1

COMMON ACCESSORIES

Code	Description	Pcs. Pack
MCU1	Spare control unit for SPIDER800	1
MCU2	Spare control unit for SPIDER800W	1
MLAE21	Plug-in expansion board 1 Output 2 Input	1
MLAE22	Plug-in expansion board 2 Output (1 230V Relay) 2 Input	1
MLAE44	Plug-in expansion board 4 Output 4 Input	1
PSS124	24 V battery with integrated battery charger	1
KI1	Kit for release from outside with metal pull-cord and key ratchet	1
SPA2	Kit for release from outside with metal pull-cord	1
SPA5	Swing arm sliding on bearings, optimised for projecting up-and-over doors	1
SPA6	Enlarged connecting arm, 585 mm long	1
SPA7	Kit with two additional fixing brackets	2
SRA1	Quick-connect brackets for ceiling mounting	6
SYKCE	Solar power supply kit consisting of SYP photovoltaic panel and PSY24 battery box with charging control circuit	
TS	Sign	1

N.B. The contents of the pack may vary: always consult the dealer.

TECHNICAL SPECIFICATIONS

Code	SPIDER800W/ SPIDER800
ELECTRICAL SPECIFICATIONS	
Power supply (VAC 50/60 Hz)	230
Draw (A)	1,1
Power (W)	180
Power in standby (W)	(0.3) 1.5*
PERFORMANCE DATA	
Speed (m/s)	0,2
Force (N)	800
Working cycle (cycles/day)	50
DIMENSIONAL AND GENERAL DATA	
Protection class (IP)	IP40
Operating temperature (°C Min/Max)	-20°C - +55°C
Dimensions (mm)	225x395x105.5 h
Weight (kg)	4,9

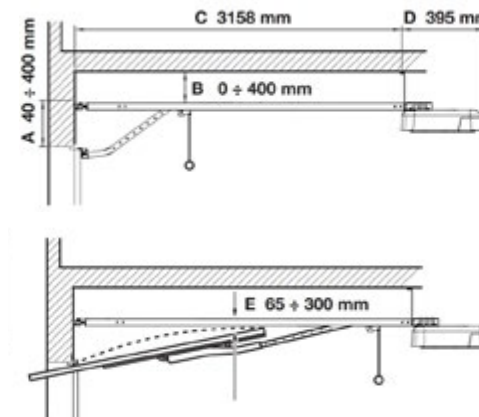
(*Spider800W)

OPERATING LIMITS

	Non-protruding up-and-over doors (with SPA5)		Protruding up-and-over doors (with SPA5) or with springs (without SPA5)		Sectional doors	
	W	H	W	H	W	H
SR32/16	4,2 m	2,4 m	4,2 m	3 m	4,4 m	2,6 m
SR40*	3,1 m	3,4 m	3,6 m	3,6 m	3,4 m	3,4 m

Using maximum travel
*Also valid for SR32/16 + SR08

DIMENSIONS



TRACK TECHNICAL SPECIFICATIONS

Code	SR32B	SR16B	SR40B
Track type	1 galvanised steel section	2 galvanised steel sections	1 piece in galvanised steel + extension
Track length installed (mm)	3200	3200 (1600x2)	3200+800
Useful travel (mm)	2800	2800	3500*
Weight (kg)	6,5	7	8,3
Pack dimensions (mm)	3300x90x45 h	1690x165x45	3300x90x45 h

*Reference to 4 m track.

COMPATIBILITY WITH CONTROL SYSTEMS AND ACCESSORIES

SPIDER800W/
SPIDER800

Control unit/Receiver
<ul style="list-style-type: none"> • Integrated* • OXIBD / OXILR
Transmitters
<ul style="list-style-type: none"> • ERA INTI - 2 channels, 433.92 MHz, different colours • ERA ONE / MYGO - 1, 2, 4 or 9 channels, 433.92 MHz • MYGOBD / ERA ONE BD / ERA ONE LR • ERA FLOR / DOMi
Photocells
<ul style="list-style-type: none"> • EPS - Slim / EPM - Medium / EPL - Large • EPSB - Slim, BlueBUS / EPMB - Medium, BlueBUS / EPLB - Large, BlueBUS • EPMOR - Medium, reflective • EPMORB - Medium, BlueBUS, reflective • EPMOW - Medium, wireless, self-synchronised • F210 synchronised, adjustable / FT210 for sensitive edges • F210B BlueBus / FT210B for sensitive edges, BlueBus
Flashing light
ELAC
<ul style="list-style-type: none"> • ELDC • WLT - Multifunction LED light

* Radio receiver not compatible with the O-box functions of the Opera system.

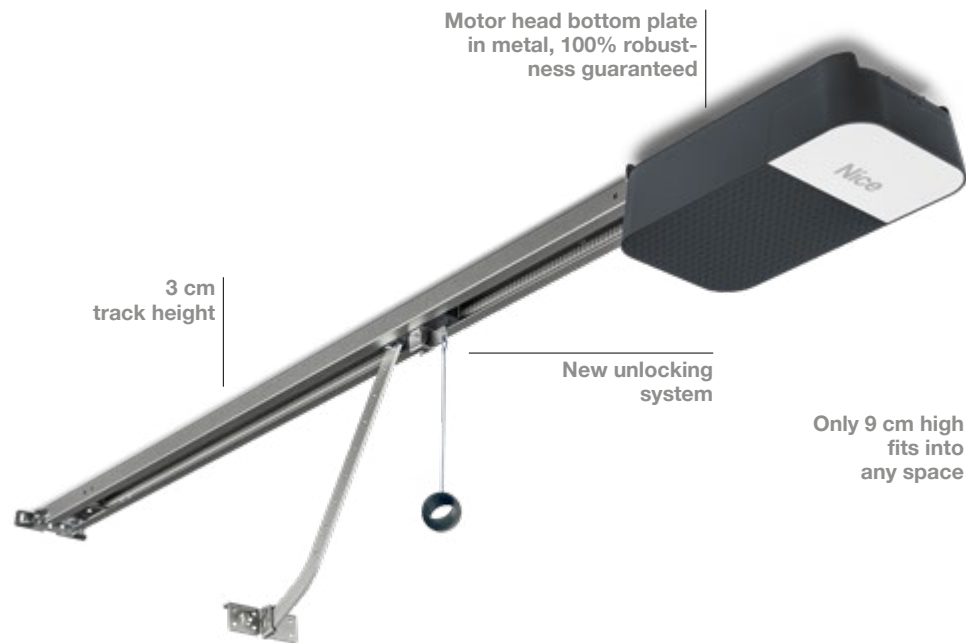
Nice

Spido 600

For sectional doors up to 9.6 m²
and up-and-over doors up to 10.5 m².



Available in a KIT



New 600N gearmotor with integrated control unit and receiver.

Option to control garage door remotely in conjunction with gate automations. Control via MyNice app.

Various kits to choose from, combining belt or chain drive system with track type (3.2 m or 2 x 1.6 m).

Save time during the installation

- **Precise adjustment of limit switches.** No need to install and adjust mechanical limit switches on the track.
- **Quick and easy programming** thanks to the one-digit display.
- **Safe, functional design**

- **Safe, easy transport:** the new track is now 3 cm high with fully integrated carriage and head. Completely safe to transport.
- **Motor head only 9 cm high** to fit into the smallest spaces.
- **Each access to the** control unit through the user-friendly cover.
- **New unlocking system** for moving the garage door manually in the event of a blackout.

Performance

Open your garage door in just 10 seconds**. Longer usable travel: new track 20 cm longer, ideal for most garage doors on the market.

Sustainability

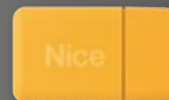
Standby energy consumption of 0.3W thanks to the integrated module.

**In a standard installation with 2.25 m high balanced door, excluding acceleration and deceleration.

BUS T4

24V

Opera



Programmable via App

With Pro-View or Bidi-WiFi & MyNice Pro App, installing Nice Gate&Door systems is even easier and more convenient.



Code	Description
SPIDO32BKCE	Kit for automating sectional and up-and-over doors, 600N, integrated control unit and unidirectional receiver. The kit contains: SPIDO600, 2 x INTI2, 1 x SR32B
SPIDO16BKCE	Kit for automating sectional and up-and-over doors, 600N, integrated control unit and unidirectional receiver. The kit contains: SPIDO600, 2 x INTI2, 1 x SR16B
SPIDO32CKCE	Kit for automating sectional and up-and-over doors, 600N, integrated control unit and unidirectional receiver. The kit contains: SPIDO600, 2 x INTI2, 1 x SR32C
SPIDO16CKCE	Kit for automating sectional and up-and-over doors, 600N, integrated control unit and unidirectional receiver. The kit contains: SPIDO600, 2 x INTI2, 1 x SR16C



The SPIDO32BKCE kit contains:

Code	Description	Quantity
SPIDO600	Gearmotor with integrated control unit and integrated unidirectional Opera receiver	1
INTI2	Transmitter, 433.92 MHz, 2 channels	2
SR32B	Track length 1 x 3.2 m piece, belt drive	1



The SPIDO16BKCE kit contains:

Code	Description	Quantity
SPIDO600	Gearmotor with integrated control unit and integrated unidirectional Opera receiver	1
INTI2	Transmitter, 433.92 MHz, 2 channels	2
SR16B	Track length 2 x 1.6 m pieces, belt drive	1



The SPIDO32CKCE kit contains:

Code	Description	Quantity
SPIDO600	Gearmotor with integrated control unit and integrated unidirectional Opera receiver	1
INTI2	Transmitter, 433.92 MHz, 2 channels	2
SR32C	Track length 1 x 3.2 m piece, chain drive	1



The SPIDO16CKCE kit contains:

Code	Description	Quantity
SPIDO600	Gearmotor with integrated control unit and integrated unidirectional Opera receiver	1
INTI2	Transmitter, 433.92 MHz, 2 channels	2
SR16C	Track length 2 x 1.6 m pieces, chain drive	1

N.B. The contents of the pack may vary: always consult the dealer.

COMMON ACCESSORIES

Code	Description	Pcs. Pack
SPA600	Spare control unit for SPIDO32BKCE, SPIDO32CKCE, SPIDO16BKCE, SPIDO16CKCE	1
PSS124	24 V battery with integrated battery charger	1
KI1	Kit for release from outside with metal pull-cord and key ratchet	1
SPA2	Kit for release from outside with metal pull-cord	1
SPA5	Swing arm sliding on bearings, optimised for projecting up-and-over doors	1
SPA6	Enlarged connecting arm, 585 mm long	1
SPA7	Kit with two additional fixing brackets	2
SRA1	Quick-connect brackets for ceiling mounting	6
TS	Sign	1

TECHNICAL SPECIFICATIONS

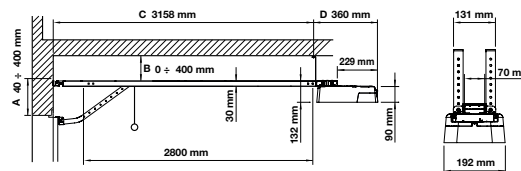
Code	SPIDO600
ELECTRICAL SPECIFICATIONS	
Power supply (VAC 50/60 Hz)	230
Draw (A)	1
Power (W)	150
Standby power (W)	0,3
PERFORMANCE DATA	
Maximum speed (m/s)	0,2
Maximum force (N)	600
Working cycle (cycles/day)	40
DIMENSIONAL AND GENERAL DATA	
Protection class (IP)	40
Operating temperature (°C Min/Max)	-20 ÷ +55
Pack dimensions (mm)	192x344x90 h
Weight (kg)	3.8 kg

OPERATING LIMITS

	Sectional doors		Non-protruding up-and-over doors (with SPA5)		Protruding up-and-over doors (with SPA5) or with springs (without SPA5)	
	W	H	W	H	W	H
SR32/16	3.7 m	2.6 m	3.5 m	2.4 m	3.5 m	3 m
SR40*	2.9 m	3.4 m	2.7 m	3.4 m	3 m	3.6 m

Using maximum travel
*Also valid for SR32/16 + SR08

DIMENSIONS



TRACK TECHNICAL SPECIFICATIONS

Code	SR32B/C	SR16B/C	SR08/C	SR40B
Track type	1 galvanised steel section	2 galvanised steel sections	Galvanised steel extension	1 galvanised steel section + extension
Track length installed (mm)	3200	3200 (1600x2)	800*	3200+800
Useful travel (mm)	2800	2800	3500**	3500**
Weight (kg)	6,5	7	2,6	8,3
Pack dimensions (mm)	3300x90x45	1690x165x45	818x114x85	3300x90x45

*For use with 3.2 m track to obtain overall 4 m length.
**Reference to 4 m track

COMPATIBILITY WITH CONTROL SYSTEMS AND ACCESSORIES

SPIDO600	Control unit/Receiver
	• Integrated*
	OXIBD / OXILR
	Transmitters
	• ERA INTI - 2 channels, 433.92 MHz, different colours
	• ERA ONE / MYGO - 1, 2, 4 or 9 channels, 433.92 MHz
	ERA ONE BD / MYGOBD / ERA ONE LR
	ERA FLOR / DOMI
	Photocells
	• EPS - Slim / EPM - Medium / EPL - Large
	EPSB - Slim, BlueBUS / EPMB - Medium, BlueBUS / EPLB - Large, BlueBUS
	EPMOR - Medium, reflective
	EPMORB - Medium, BlueBUS, reflective
	EPMOW - Medium, wireless, self-synchronised
	• F210 synchronised, adjustable / FT210 for sensitive edges
F210B BlueBus / FT210B for sensitive edges, BlueBus	
Flashing light	
ELAC	
• ELDC	
• WLT - Multifunction LED light	

* Radio receiver not compatible with the O-box functions of the Opera system.

Nice

Open to the future, the space gets smart.

Yubii, a single ecosystem to connect, simplify and control all home automations.

Connect automations via the Nice gateway to create personalised scenarios that can be controlled either by smartphone or by setting a button on the bidirectional remote control.

Yubii Home Pro gateway integrates easily with over 3000 third-party interfaces.

Compatible with:

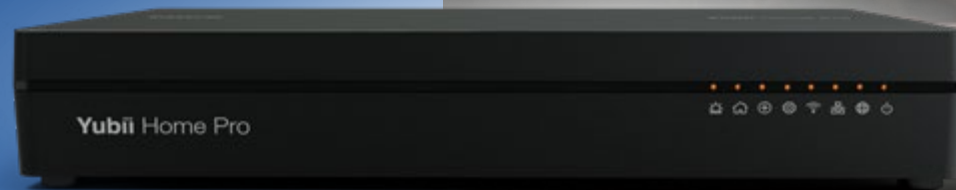


Communicates via protocols:



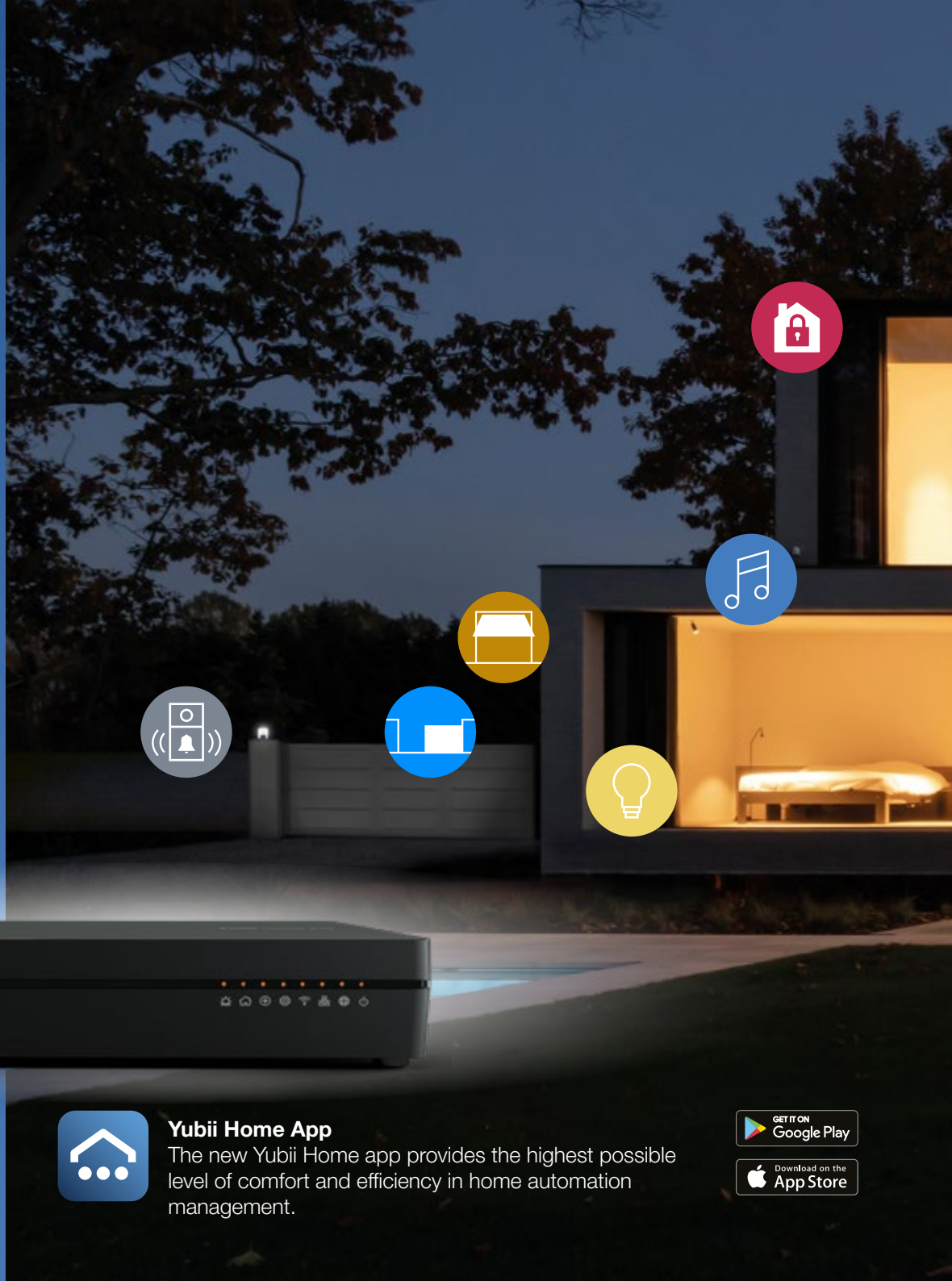
Nice radio

elero radio



Yubii Home App

The new Yubii Home app provides the highest possible level of comfort and efficiency in home automation management.





DISCOVER HOW TO USE OUR SOLUTIONS

The Nice Smart Home system:
easy and wireless, integrable and flexible,
secure and always in control.

**View the full catalogue
of Smart Home solutions →**

Smart Home Solutions



SCAN ME

Smart Home Solutions



SCAN ME

Nice

A single ecosystem to connect, simplify and control all home automations.

The new Spider and Spido range of garage doors motors are designed to connect and integrate with the Yubii® ecosystem.

Thanks to the plug-in communication interfaces, the new range of sliding gates motors integrates with your smart home system.

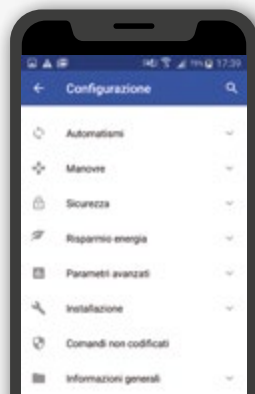


Nice connectivity tools

DESIGNED FOR
INSTALLERS



Allows Nice installers to work on automations directly from their smartphone via the BiDi-WiFi multifunction interface.

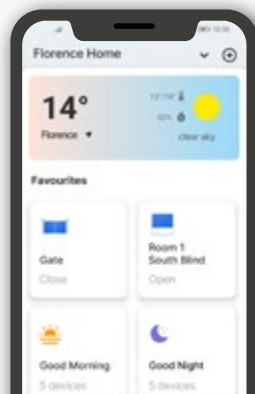


BIDI-WIFI

DESIGNED FOR
END CONSUMERS



You can use your smartphone and the MyNice app to manage your home's Nice automations wherever you are.



BIDI-WIFI

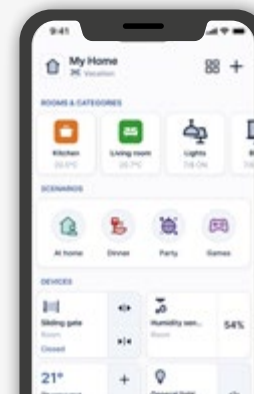


IBT4N & IT4WIFI

DESIGNED FOR
END CONSUMERS



You can use your smartphone and the Yubii Home app to manage all your Smart Home automations and Z-Wave devices wherever you are.



YUBIIHOME



BIDI-WIFI



YUBIIHOME



BIDI-ZWAVE



BIDI-WIFI
Plug-in programming interface to configure the automation via smartphone.



IBT4N
Interface for connecting the Pro-View programming unit and IT4WIFI smart interface.



IT4WIFI
Smart Wi-Fi interface to manage gates and garage doors remotely via smartphone.



BIDI-ZWAVE
Plug-in communication interface for communicating between Z-Wave™ gateway and Nice motors.

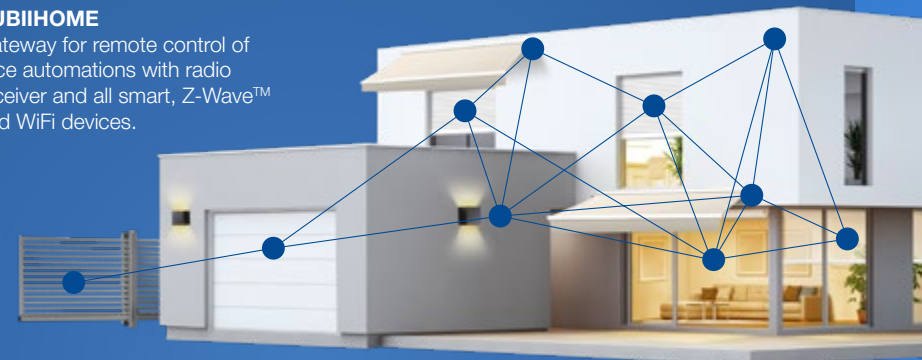


YUBIIHOME
Gateway for remote control of Nice automations with radio receiver and all smart, Z-Wave™ and WiFi devices.



VOICE COMMANDS

Control your home automation the simplest way possible, including from your smart watch or smart car via Amazon Alexa, Google Assistant or Siri.



Transmitters

Bidirectional and unidirectional transmitters and receivers



MYG02BD **MYG04BD** **MYG08BD**

MYGO BD

MyGO BD transmitters with 433.92 MHz radio frequency with bidirectional encoding.

Also compatible with Nice O-Code encoded receivers.

I nuovi telecomandi MYGOBD possono essere programmati tramite l'App MyNice Pro.

Available in three versions: 2, 4 and 8 buttons.



MYG02 **MYG04** **MYG08** **MYG04FM** **MYG02FM**
MYG02C **MYG04C** **MYG08C**

MYGO

MyGO transmitters with 433.92 MHz radio frequency with O-Code encoding.

MyGO FM transmitters, ideal for use in cities or places where multiple devices are installed: 868.46 MHz versions, Rolling Code with FM frequency modulation, guarantee greater immunity to interference.

The new MYGO remote controls can be programmed via the MyNice Pro app.

Available in two versions: 2, 4 and 8 buttons as per customer requirements.



DOMIW3C

DOMIW3C

Domi W3C is a wall-mounted 3-channel bidirectional radio transmitter.

With Domi W3C you can control up to 3 different automations simultaneously and check the garage door using three different commands when you don't have a transmitter to hand.

Each wall-mounting with no wiring necessary.

The Domi wall-mounted transmitter includes an operating unit and a standard 50 x 50 mm frame.

Transmitters and plug-in radio receiver



ON3ELR **OXILR**

ERA ONE LR & OXI LR

Long range, bi-directional, 4-key transmitter with LoRa® technology: 3 radio channels and 1 key to interrogate automation status. Integrated NFC technology.

Plug-in bidirectional radio receiver with LoRa® technology.

Range up to 1 km and improved immunity to radio disturbance, also available in kit.

The **ONELRKIT** contains: 2 pcs. ON3ELR, 1 pcs. OXILR, 1 pcs. OX2UBP.

2-channel transmitters



INTI2Y **INTI2** **INTI2L** **INTI2B** **INTI2R** **INTI2G**

ERA INTI

The colourful line of miniaturised, 2-channel transmitters is available in six colours. 433,92 MHz rolling code, identity code and certificate management, self-learning and integrated proximity receiver; with 72 bit O-Code encoding, also compatible with receivers with Nice FloR encoding.

Control and indicator devices

Digital switches and proximity readers



EDS / EDSI
EDSB / EDSIB



EDSWG



ETP



HSB1



MOCARD

ERA KEYPAD

Digital switches in surface mounted, recessed or 100% wireless versions. Also available with Nice BlueBUS connection technology.

ERA TRANSPONDER READER

Proximity readers for transponder cards and badges, surface-mounted. Also available with Nice BlueBUS connection technology.

Control devices



EPSA
EPSAB

EPS
EPSB



EPMA / EPMAO
EPMAB / EPMAOB



EPM / EPMO
EPMB / EPMOB



EPL / EPLB / EPLD / EPLD /
EPLD / EPLD

ERA PHOTOCELLS SLIM

Fixed synchronised photocells, also with Nice BlueBUS connection technology. Available in anti-intrusion version with metal body. Ideal in confined spaces.

ERA PHOTOCELLS MEDIUM

Fixed or positionable synchronised photocells, also with Nice BlueBUS connection technology. Available in anti-intrusion version with metal body. Ideal for the most widely used systems.

ERA PHOTOCELLS LARGE

Fixed or positionable synchronised photocells, also with Nice BlueBUS connection technology. Available for surface or recessed mounting.

Control and indicator devices



ELAC
ELDC

ERA LIGHT

Flashing LED signal light, body particularly shockproof, designed for fixing in various positions. Available in two versions : 90-240 Vac and 12-36 Vdc.



EPMW

EPMOR

ERA PHOTOCELLS MEDIUM

In **wireless** and **reflective** version.



PPK

PPH2

PPH4

PPH1

PPH3

ERA POST

Outdoor aluminium posts for photocells, switches and proximity readers with heights of 500 mm and 1000 mm.

Accessories for garage doors

SPARE CONTROL UNITS



SPA600
Spare control unit for SPIDO32BKCE, SPIDO32CKCE, SPIDO16BKCE, SPIDO16CKCE.
Pcs./pack 1



MCU1
Spare control unit for SPIDER800.
Pcs./pack 1



MCU2
Spare control unit for SPIDER800W and SPIDER1200BLW.
Pcs./pack 1

EXPANSION BOARD FOR MCU1, MCU2, MCU4 CONTROL UNIT



MLAE21
Plug-in expansion board 1 Output 2 Input.
Pcs./pack 1



MLAE22
Plug-in expansion board 2 Output (1 230V Relay) 2 Input.
Pcs./pack 1



MLAE44
Plug-in expansion board 4 Output 4 Input.
Pcs./pack 1

ACCESSORIES FOR 24 V VERSIONS



PSS124
24 V battery with integrated battery charger.
Pcs./pack 1



PSS324
24 V battery with integrated battery charger.
Pcs./pack 1



TNA9
Additional connecting cable and supports for wall-mounting the PSS324 and PSS324 battery.
Pcs./pack 1

OTHER ACCESSORIES



SPA2
Kit for release from outside with metal pull-cord.
Pcs./pack 1



SPA5
Swing arm sliding on bearings, optimised for projecting up-and-over doors.
Pcs./pack 1



SPA6
Enlarged connecting arm, 585 mm long.
Pcs./pack 1



SPA7
Kit with two additional fixing brackets.
Pcs./pack 2



SRA1
Quick-fit bracket for ceiling assembly.
Pcs./pack 1

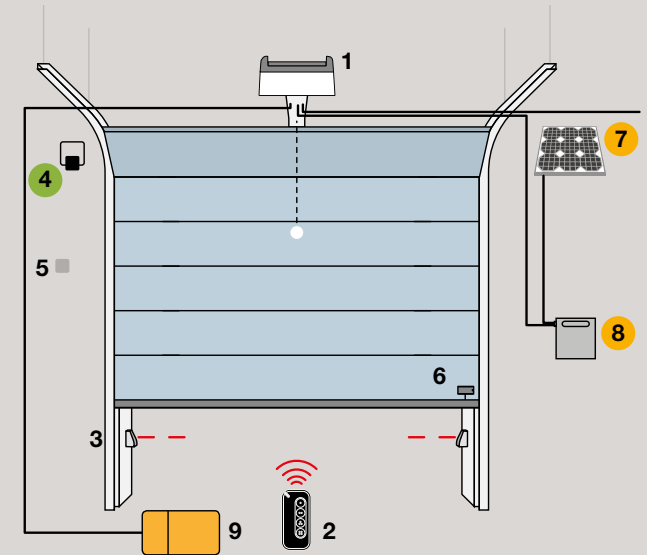


KI1
Kit for release from outside with metal pull-cord and key ratchet
Pcs./pack 1



TS
Sign.
Pcs./pack 1

Standard installation diagram for garage doors



SPIDER, SPIDO

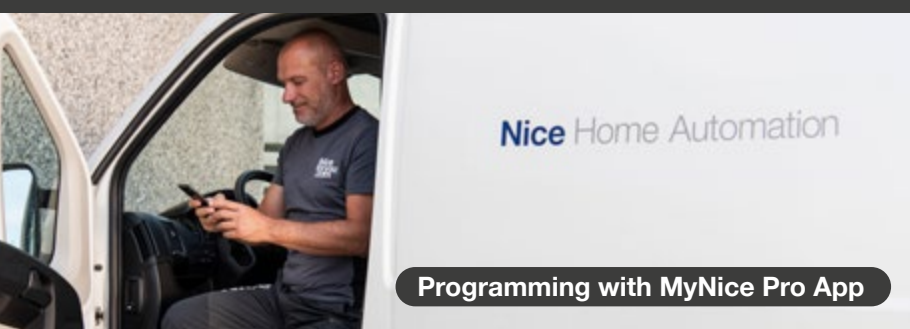
1. Motor 2. Transmitter 3. Photocells 4. Flashing light 5. Key or digital switch 6. Sensor for sensitive edge 7. SYP solar panel 8. PSY24 battery box 9. Pro-View multifunction interface

● Accessories also available in wireless version **Solemyo Air Net System**

● Solemyo solar power **accessories**



Plug-in interface



Programming with MyNice Pro App



Remote control with MyNice App

Simplified installation with

BiDi-WiFi



BiDi-WiFi is the Pocket-sized programming interface for programming and controlling Nice automations by smartphone, compatible with all Nice automations for gates and garage doors with Bus-T4 connector.



Rapid user-friendly App

Procedures guided by a wizard with a description of the parameters displayed as in an instruction manual.



Remote management

Rapid programming, view diagnostics, remote programming management and remote assistance.



Management cloud for your activity

Statistics and geolocation of installations to optimise the work of the entire team.



Simplified viewing of manuals

Access the manual of the automation you are programming in real time.



Real time firmware updates

Check for available updates while working on the automation.

We imagined the freedom to explore the world and turned it into a house-system.

Connected, integrated and customisable.
Safe and easy to use. The smart home system
is the Nice project that puts the way you want to live
at the centre of the automation.

Even when you're busy exploring the world.

www.niceforyou.com

Nice SpA
Oderzo, TV, Italy

